



Collimare

Manual Collimare *LED*



Continuing to lead the industry with **NEW Innovative Designs and Standard Features**

- Cross-Hair Lasers
- Highly Visible LED Light Source
- Multi-Function LED/Laser Control
- Programmable On-Time
- Advanced Thermal Control. *No Fan Required!*
- Active Thermal Protection
- Low Power Operation
- External Light Field Adjustments
- Universal Power Input
- Direct Imaging Target Sheet
- Factory Customer Support
- Made in the USA

Specifications On Back of Sheet.

Collimare, LLC
13401 W 43RD DR, Unit #7
Golden, CO 80403
P: 303.278.1496
F: 303.278.1498
www.collimare.com





Manual Collimare *LED*

Specifications:

1. Size - H x L x W6" x 9" x 6"
2. Weight<13 lbs.
3. Rating150kVp or 125KVP
4. Film CoverageContinuously variable 17" x 17" at 36" SID
5. Ray Proofing< 50mr/hr @ one meter from focal spot @ 150kVp at 4ma
6. Light SourceLED (12VDC @ 2A, 24VDC @ 1A or 24VAC @ 1A)
7. Light Output> 20 foot-candle @ 40"
8. Edge Contrast5:1 minimum
9. Lamp Timer30 second standard, up to 120 second programmable
10. Inherent Filtration> 1.4mm aluminum equivalent at 80kVp
11. Filter TypeFixed
12. Mount TypeFixed mount with 90° rotational detents
13. Performance Standards21 CFR Part 1020 // UL 60601-1 // IEC 60825-1
14. Alignment "Crosshairs"Transverse and Longitudinal Class I Laser Light Lines

Models:

- CML-150-0001-C, 150kVp Certified Manual Collimator
- CML-125-0001-C, 125kVp Certified Manual Collimator
- CML-VET-0001-NC, Non-Certified Veterinarian Collimator

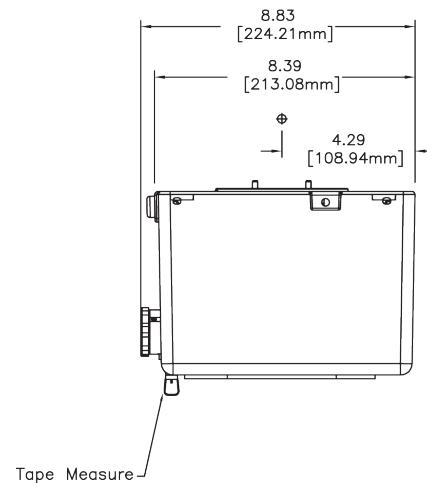
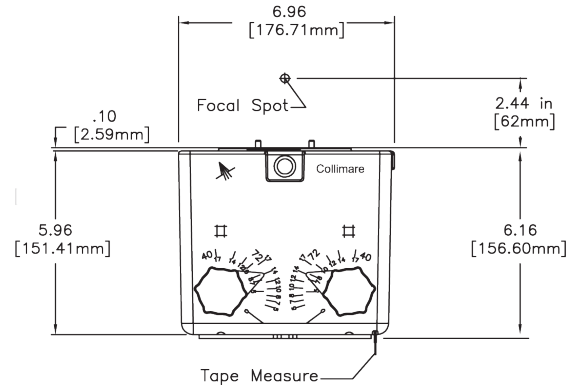


Figure 1

Optional Features:

- Accessory Rail Kit
- DAP Meter Rail Kit
- Input Port Shutters

Collimare, LLC
13401 W 43RD DR, Unit #7
Golden, CO 80403
P: 303.278.1496
F: 303.278.1498
www.collimare.com

